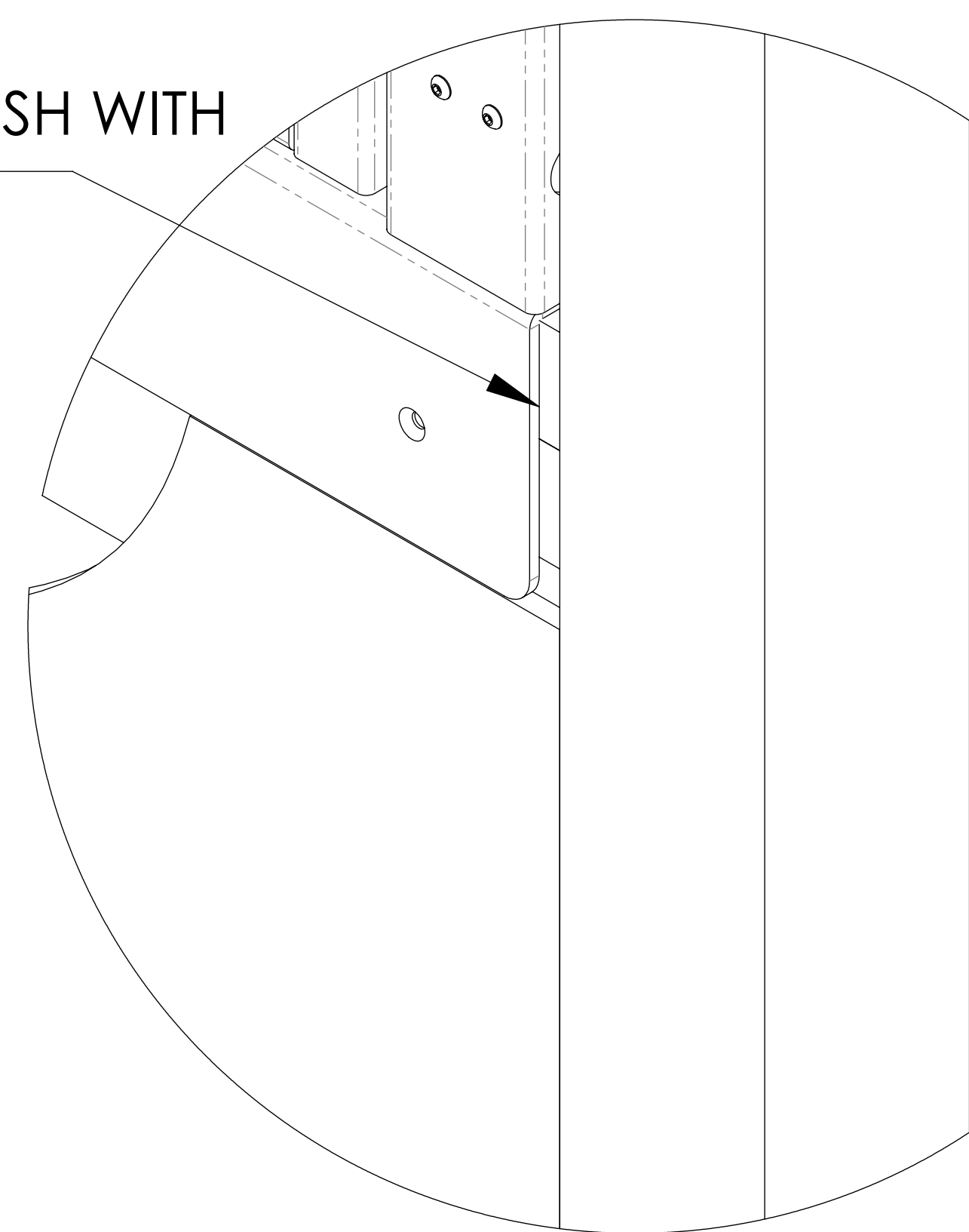


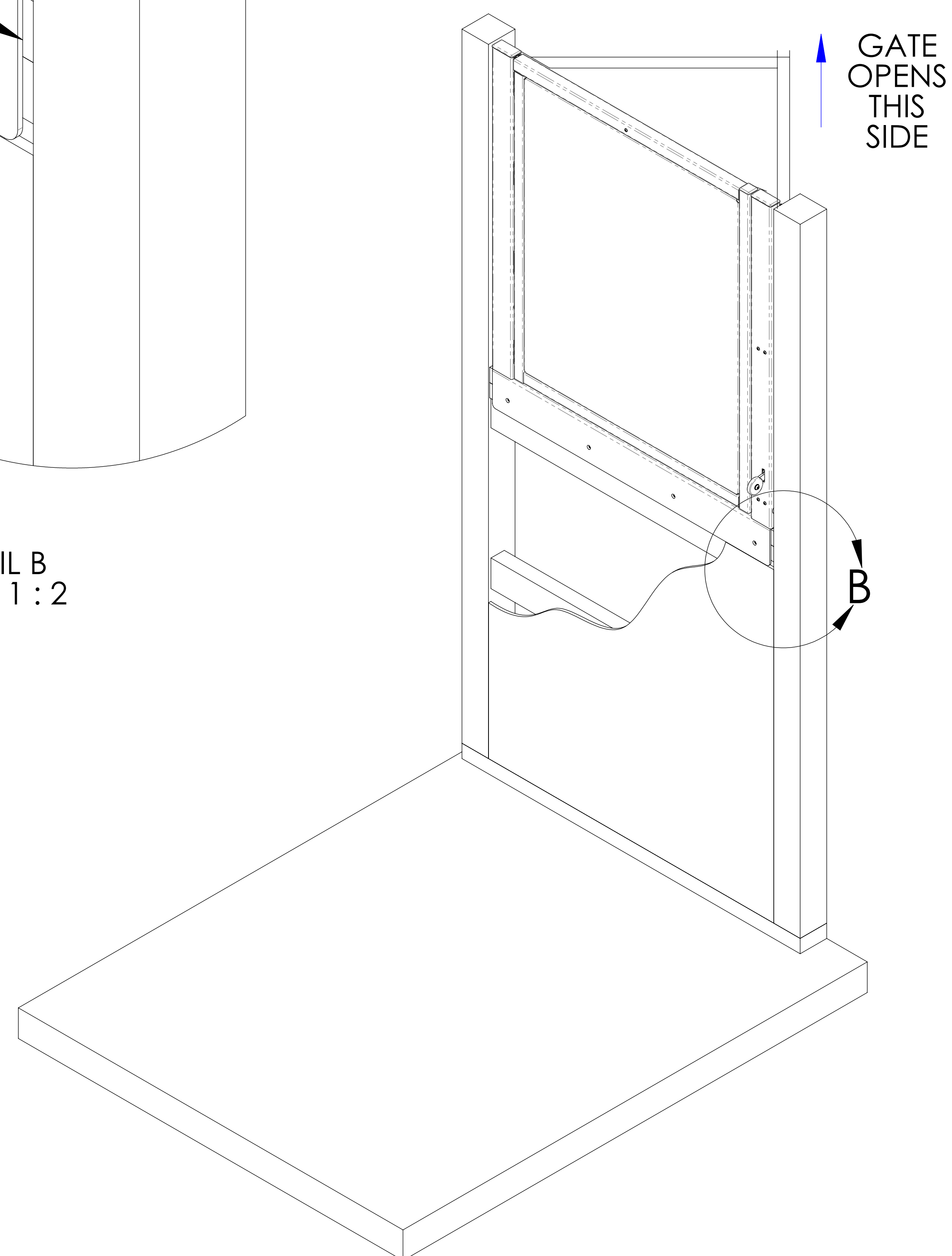
# GATE INSTALLATION FRAMING

## LEFT HAND GATE INSTALLATION SHOWN

GATE SILL FLANGE SHOULD BE PLACED FLUSH WITH UNDERNEATH FRAMING



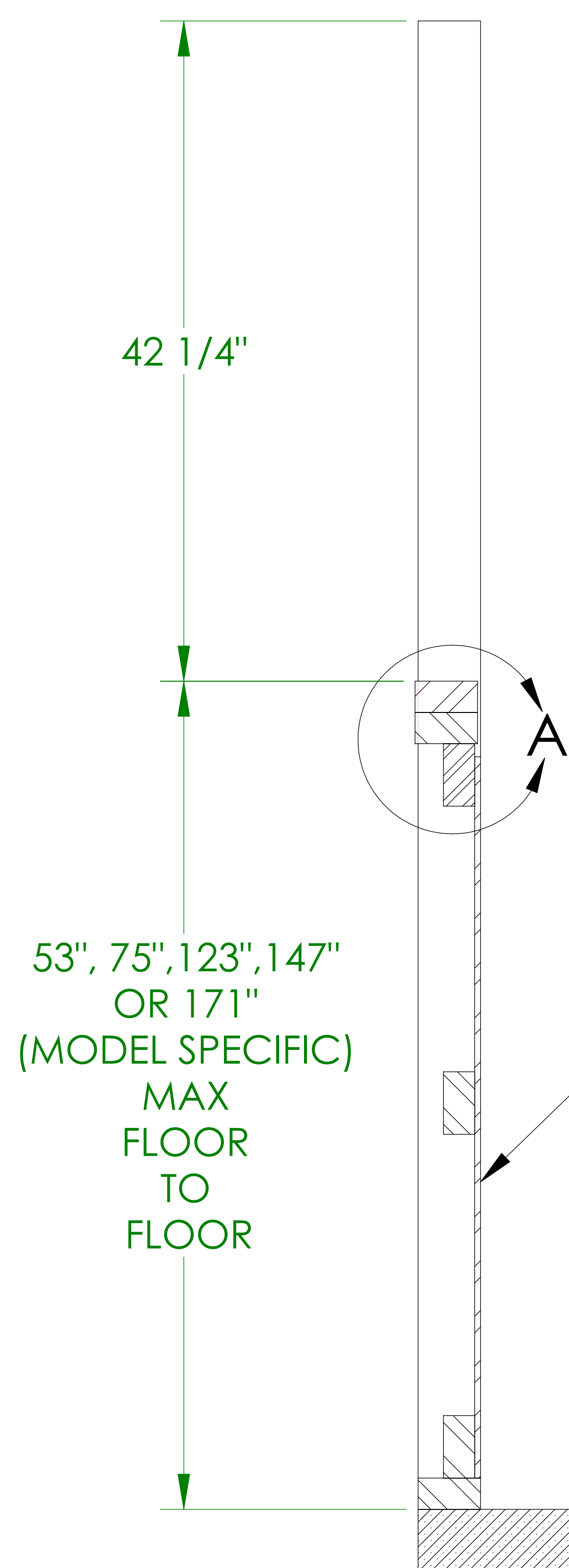
DETAIL B  
SCALE 1 : 2



GATE OPENS THIS SIDE

### NOTES:

1. ALL FRAMING MUST BE CAPABLE OF WITHSTANDING A 200 LBS CONCENTRATED LOAD IN ALL DIRECTIONS.
2. AN ALTERNATIVE METHOD TO ACHIEVE A FLUSH FINISH BETWEEN THE GATE SILL FLANGE AND FASCIA BOARD IS TO ROUTER A POCKET INTO THE THE AREA COVERED BY THE GATE SILL FLANGE. THIS POCKET SHOULD BE 3/16" DEEP.
3. REFER TO THE TECHNICAL DRAWINGS FOR ADDITIONAL INSTALLATION DIMENSIONS.

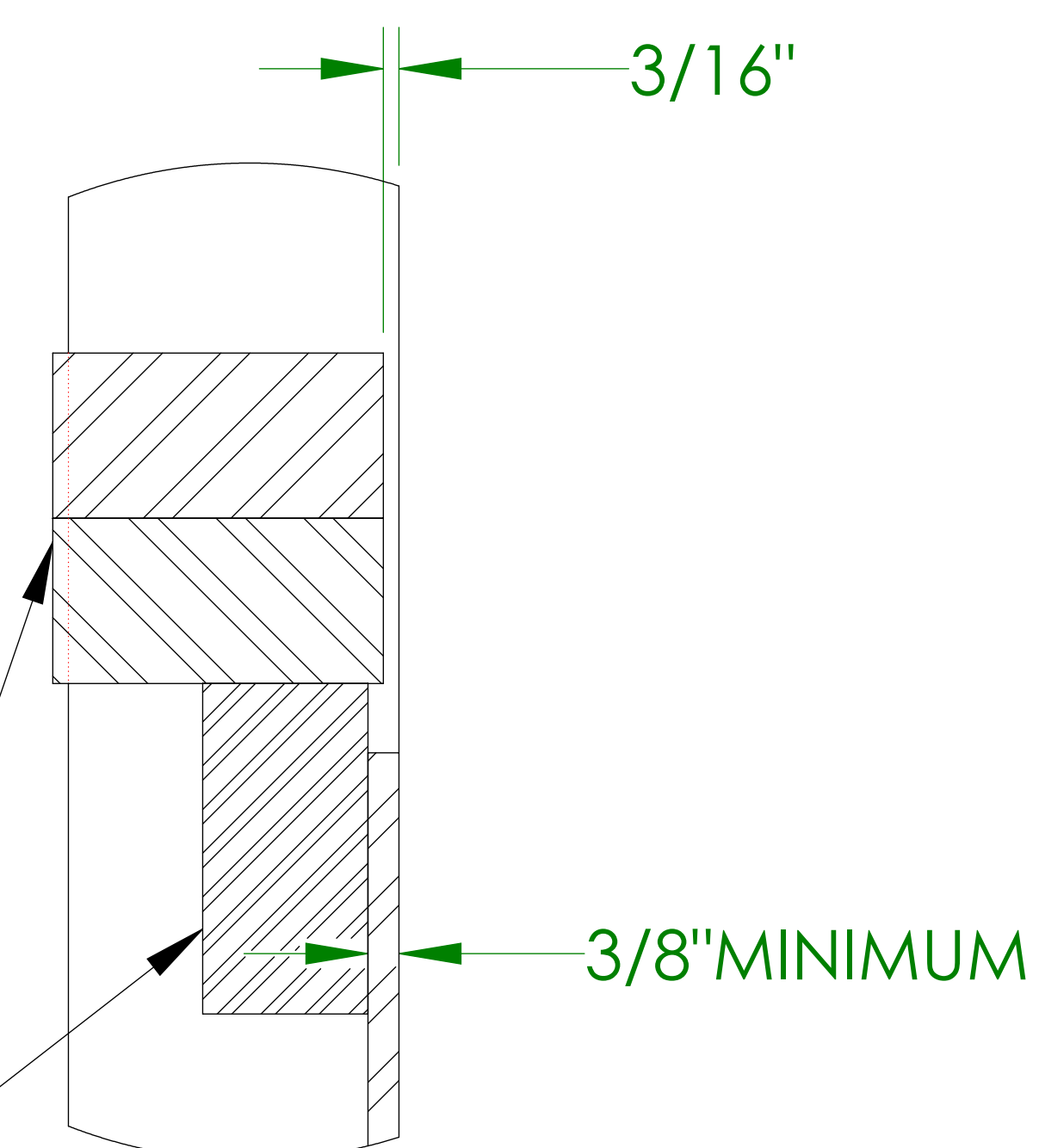


SECTION A-A

2"x4"s TO BE PLACED BACK TO ALLOW GATE ANGLE AND FASCIA BOARD TO BE FLUSH WITH 4"x4" POSTS, CUT WOOD AS NEEDED TO FIT SPECIFIC APPLICATION.

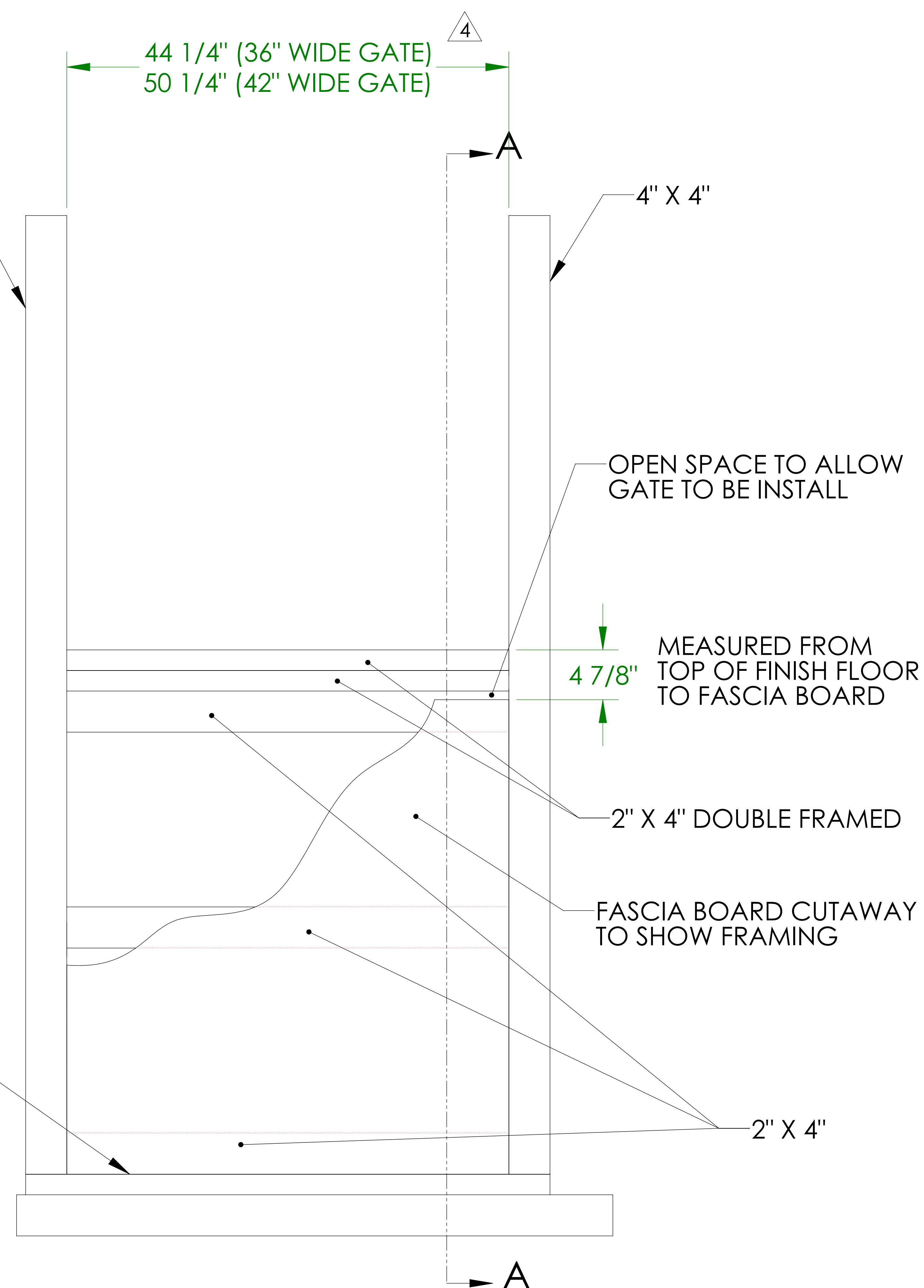
FASCIA BOARD RECOMMEND 3/8" MINIMUM THICK PANEL

CONCRETE SLAB  
NOTE:  
THE LENGTH & WIDTH OF THE SLAB MAY NEED TO BE INCREASED OVER THE MINIMUM SLAB DIMENSIONS SHOWN ON THE TECHNICAL DRAWINGS



DETAIL A  
SCALE 1 : 2

2" X 4" TO BE ANCHORED TO CONCRETE SLAB



44 1/4" (36" WIDE GATE)  
50 1/4" (42" WIDE GATE)

OPEN SPACE TO ALLOW GATE TO BE INSTALL

MEASURED FROM TOP OF FINISH FLOOR TO FASCIA BOARD  
4 7/8"

2" X 4" DOUBLE FRAMED

FASCIA BOARD CUTAWAY TO SHOW FRAMING

2" X 4"